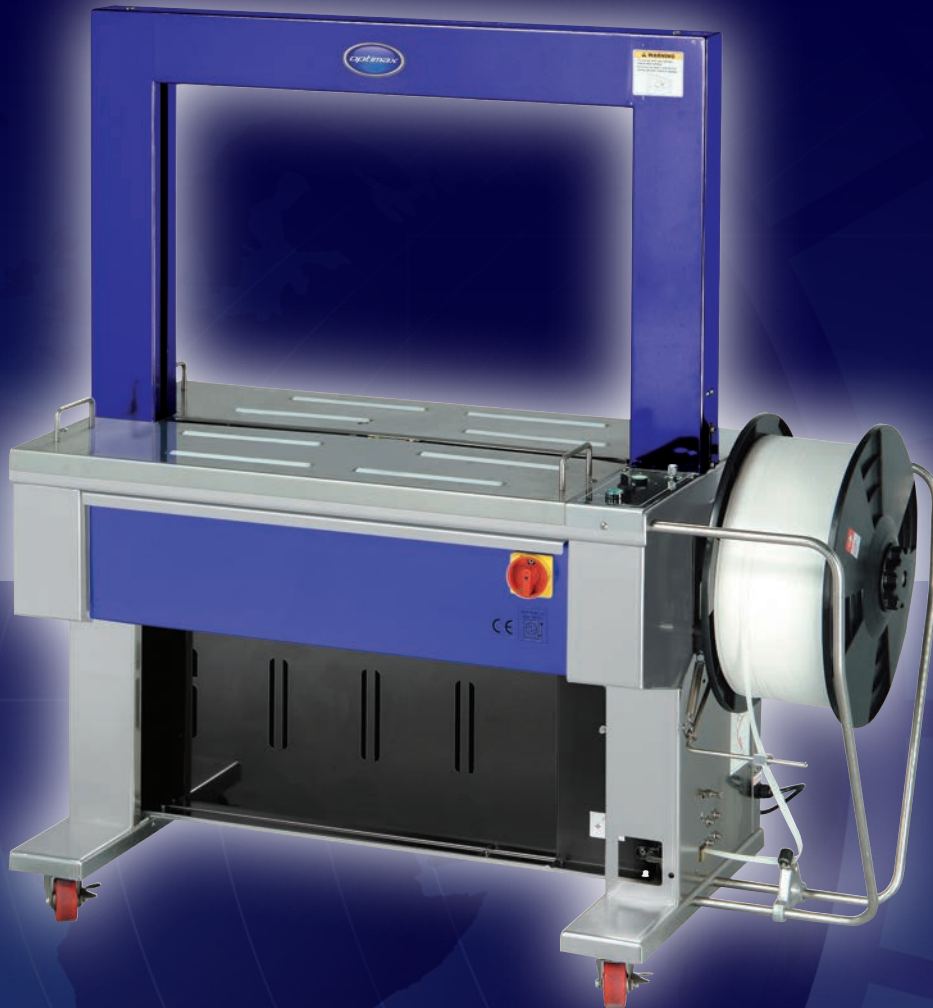


OPTIMUM QUALITY MAXIMUM RELIABILITY™



AFS900

AUTOMATIC STRAPPING MACHINE



Based on the proven TRS600 platform the AFS900 Evolve is one of the most advanced strapping machines in its class, with additional features to increase productivity and reduce downtime.





AFS900

AUTOMATIC STRAPPING MACHINE

AFS900-9
(850mm x 600mm Arch 9mm Strap width)

AFS900-12
(850mm x 600mm Arch 12mm Strap width)

AFS900-12L
(1050mm x 800mm Arch 12mm Strap width)

Features include:

- > Electronic strap tension control
- > Short-feed sensor to prevent strap misfeed
- > Automatic strap loop ejector for accidental cycle activation
- > Automatic strap feed for load-and-go reel changes



PP Suitable for use with polypropylene strapping

10-70Kg Strapping tension range

2.6 secs Strapping speed/cycle rate

240V 50Hz Power requirements

Heat weld seal - no need for metal seals

Adjustable leg/table height

Suitable for carton strapping applications

Suitable for engineering industry applications

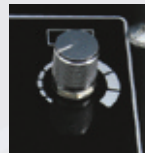
220Kg Total machine weight



Auto loop ejector



Auto strap feeding



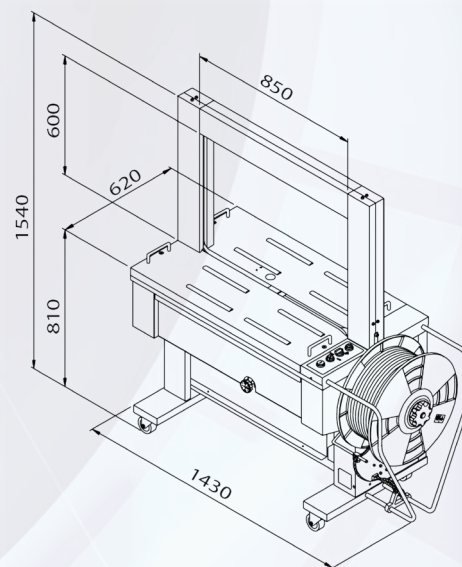
Electronic tension control

Specifications

Machine Weight: 220 kg
 Machine Dims w x d x h (mm): 1430 x 620 x 1540
 Max Package Weight: 100 kg
 Strap Widths (mm): 9-16
 Min/Max PP Thickness: 0.55mm - 0.75mm
 Min/Max Tension: 10-70 kg (Strap Dependent)
 Speed/Cycle: 2.6 secs (@50Hz if applicable)
 Power Requirement: 240v 50Hz
 Power Consumption: 1.2kw

Options

- > Short feed sensor
- > Stainless steel frame



For more information on the complete range of Optimax® packaging products, please contact your authorised Optimax® distributor or visit:

www.optimaxproducts.com

©Copyright Optimax 2015
 We reserve the right to change product specifications without prior notice
 Re-order Code: LIT-PS001

